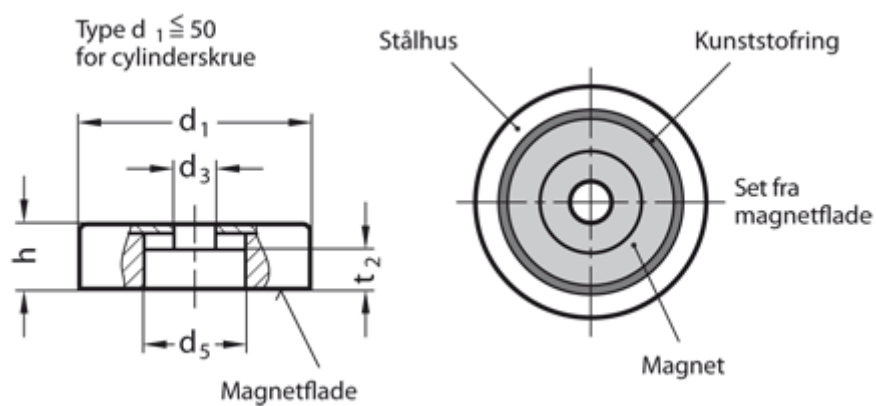


Article number: 201227045

Description: E+G Magnet - with bore GN 50.45-HF-50-10-8,5
HF hard ferrite - 200°.C, 230N

Measures



d1 = 63 +0,3/-0,1

d3 = 6.5

d5 = 24.0

h = 14 +0,5/-0,2

Holding force N = 230

Material = HF hard ferrite - 220°.C

t2 = 12.0